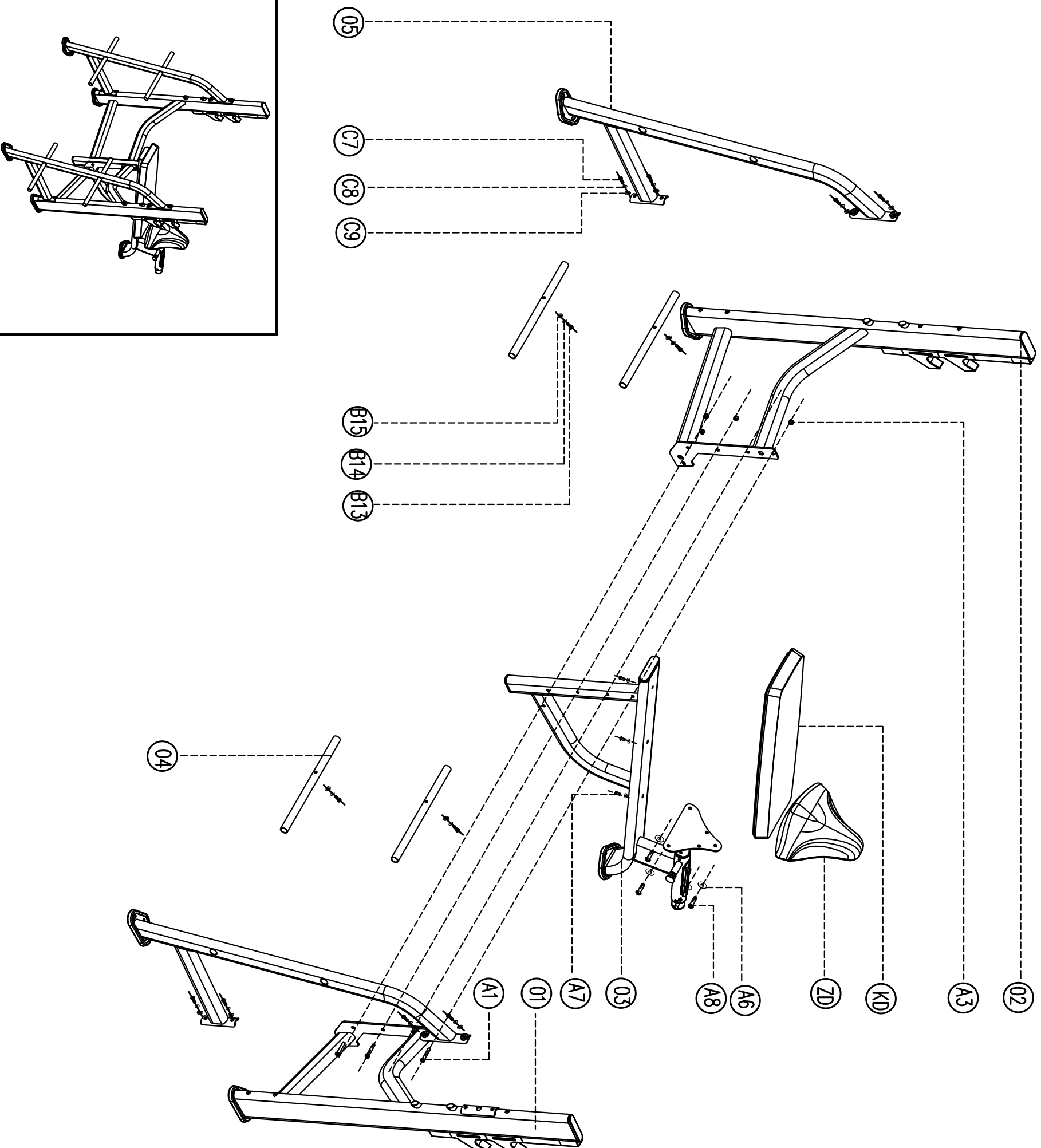


Exploded

E7042 Olympic Benchincline

please note :prats didn't
demolitione part and fast
eners not listde on the
introduction



Number	Name	Quantity
A6	Spring gasket Φ12	8
A5	Flat washer Φ12	8
A4	Cylindrical head screws M12*35	8
B15	Spring gasket Φ12	4
B14	Flat washer Φ12	4
B13	Cylindrical head screws M12*60	4
A8	Flat washer Φ8	7
A7	Cup head inner hex screw M8*70	3
A6	Cup head inner hex screw M8*30	4
A3	Self-locking Nuts M10	5
A1	Cylindrical head screws M10*70	5
ZD	Cushion	1
KD	Cushion	1
05	Rear support components	2
04	Hanging arm rod ZJ015	4
03	Cushion fixing plus	1
02	Left column assembly	1
01	Right column assembly	1