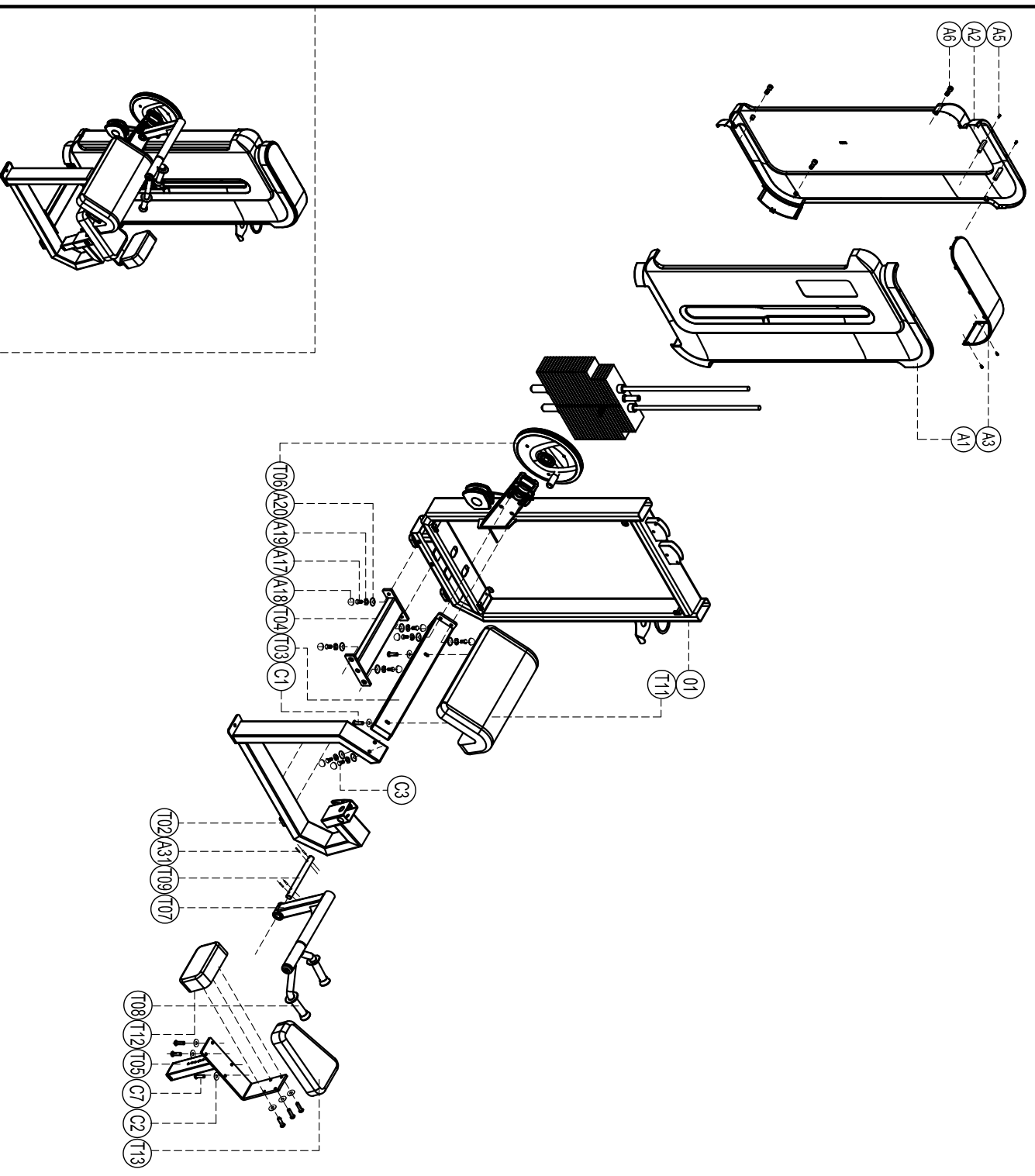


# Exploded

H3028 Triceps Extension

please note :parts didn't demollitione part and fast eners not listde on the introduction



Number	Name	Quantity
C7	Cup head inner hex scre M8*35	8
C3	Outer hex screw M12*70	2
C2	Flat washer φ8	10
C1	Cup head inner screw M8*80	2
A31	Pin φ8*50	4
A20	Gasket D0003	8
A19	Spring washer φ12	8
A18	Screw cap S208	8
A17	Outer hex screw M12*35	8
A6	Cup head inner hex screw M5*15	8
A5	Cup head cross tapping screw S13*8	4
A3	Top cover	1
A2	Back shroud	1
A1	Front shroud	1
T13	Upholstery D2203	1
T12	Backrest D2208	1
T11	Elbow cushion D2207	1
T09	Axle	1
T08	Handle frame	1
T07	L type working arm	1
T06	Cam sets	1
T05	Seat fixing	1
T04	Bottom connector	1
T03	Top connector	1
T02	Main frame	1
01	Door frame	1