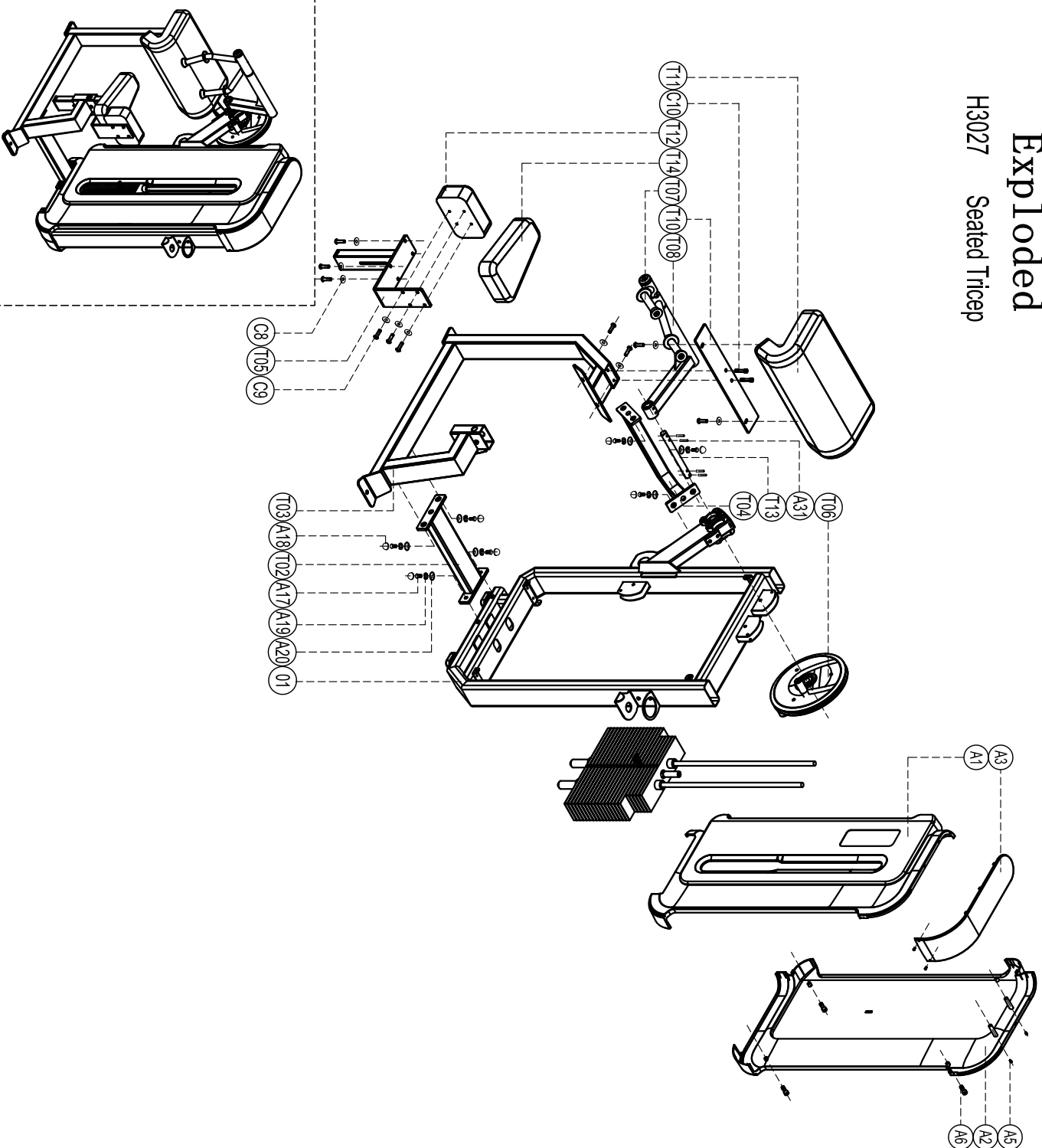


# Exploded

## H3027 Seated Tricep



please note :prats didn't demolitionne part and fast eners not listide on the introduction

Number	Name	Quantity
C10	Socket Cap inner hex M10*50	2
C9	Cup head inner hex screw M8*35	12
C8	Flat washer φ8	12
A31	Pin φ8*50	4
A20	Gasket D0003	12
A19	Spring washer φ12	12
A18	Screw cap S208	12
A17	Outer hex screw M12*35	10
A6	Cup head inner hex screw M5*15	8
A5	Cup head cross tapping screw S13*89	4
A3	Top cover	1
A2	Back shroud	1
A1	Front shroud	1
14	Upholstery	1
13	Axle	1
12	Backrest	1
11	Elbow cushion DZ100	1
10	Support board (Top)	1
08	Handle frame	1
07	L type working arm	1
06	Big cam	1
05	Seat fixing	1
04	Bent frame	1
03	Main frame	1
02	Bottom connector	1
01	Door frame	1